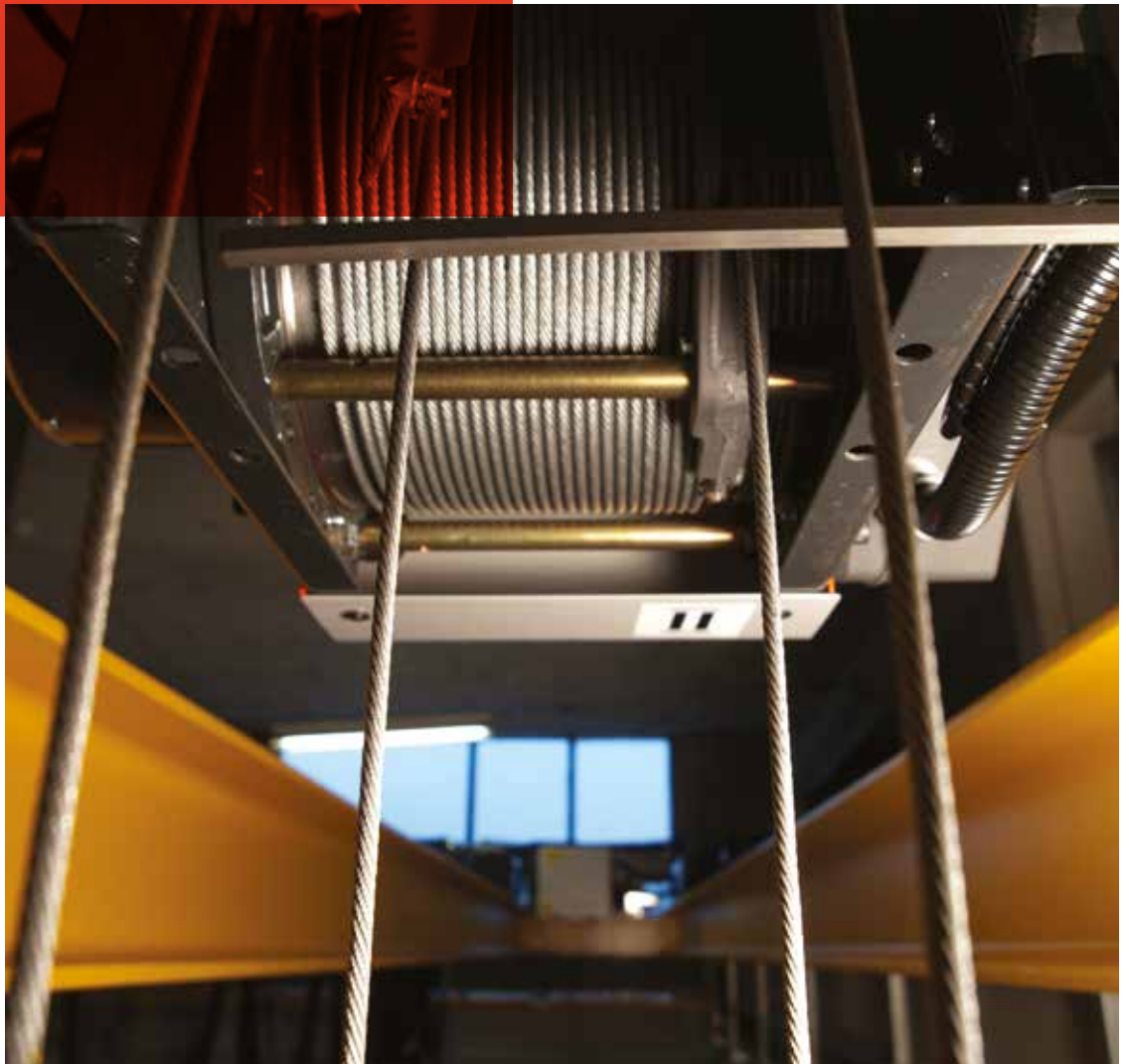


CONSULTATION SERVICES

Rope Analysis



Answering your wire rope questions

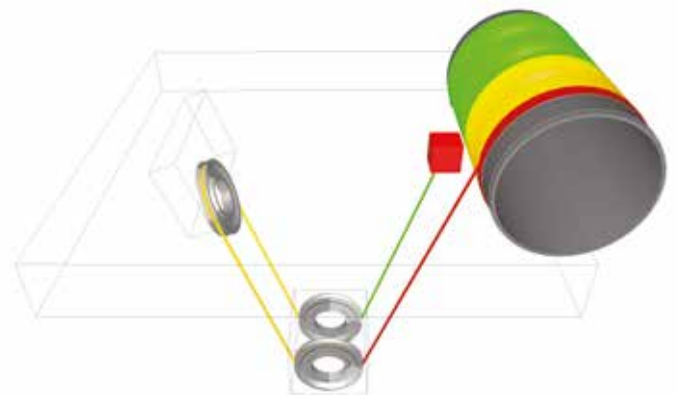
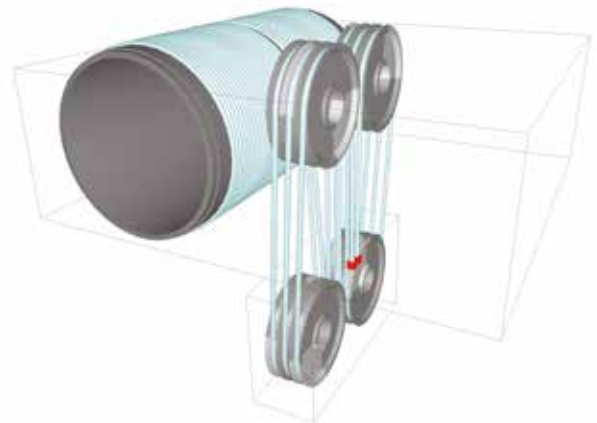
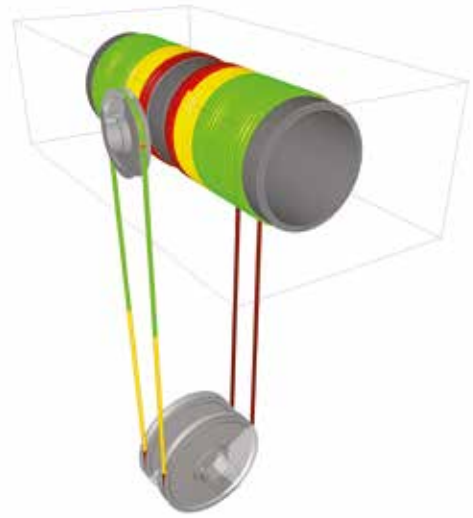
The Konecranes Rope Analysis is designed to answer your wire rope and rope reeving questions. The analysis targets individual concerns such as rope selection, rope life, component failures, unexpected rope behavior, accident investigation or improvement opportunities.

Using proprietary 3D modeling and calculation tools, we provide an engineering assessment, calculation and inspection of your ropes and reeving components. The rope life calculation is based on the EN 13001-3-2:2014 standard.

We provide expert consultation and can give you a calculated estimate of rope life, recommendations for rope selection or rope reeving geometry improvement to target a variety of issues. The Rope Analysis can also be used to investigate a rope failure.

BENEFITS

- 3D simulation of the rope reeving provides a clear view of issues or concerns
- Can offer recommendations for extending rope life in current or future use
- Can give information that can be used to improve rope behavior
- Can provide rope failure insights with a failure investigation report



This publication is for general informational purposes only. Konecranes reserves the right at any time, without notice, to alter or discontinue the products and/or specifications referenced herein. This publication creates no warranty on the part of Konecranes, express or implied, including but not limited to any implied warranty or merchantability or fitness for a particular purpose.