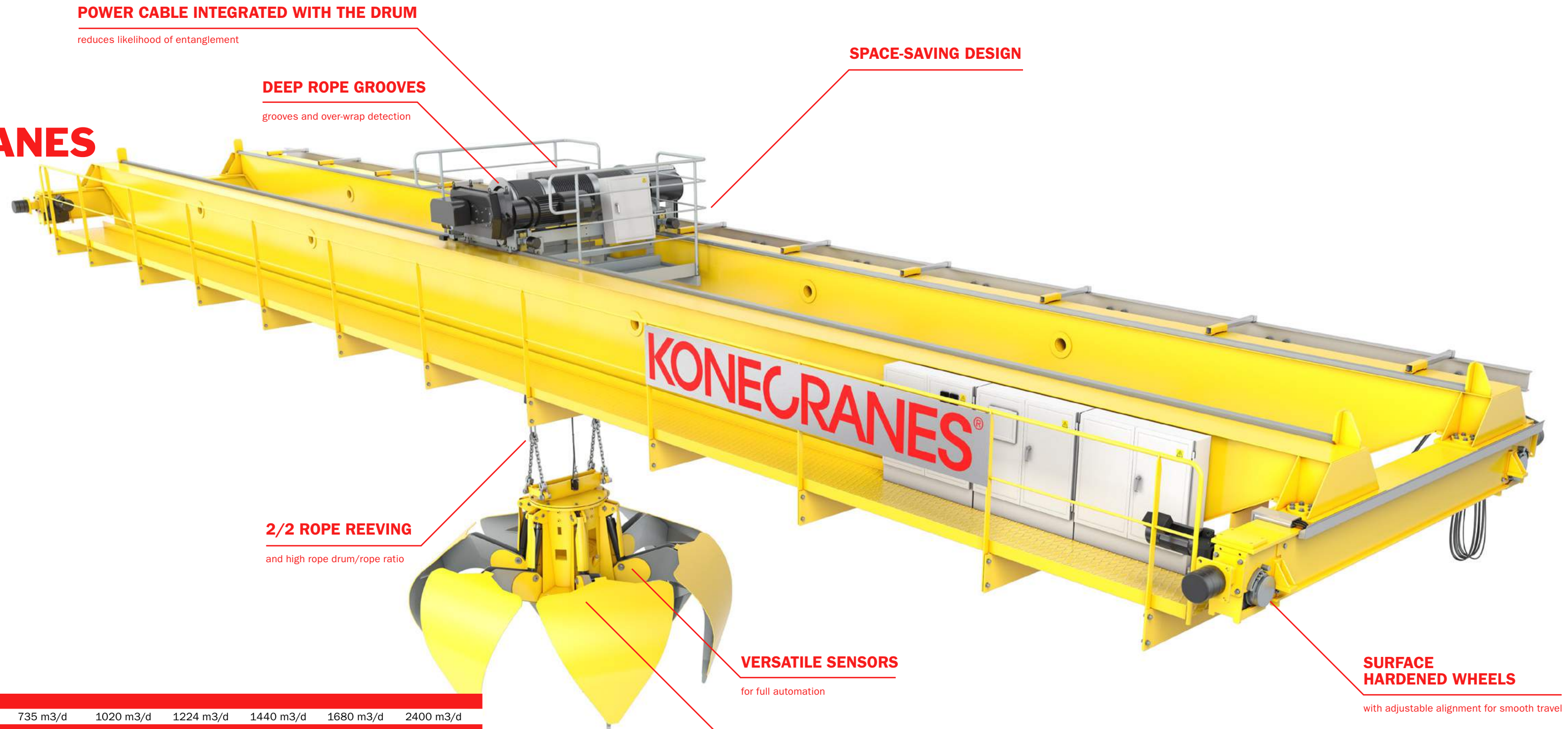
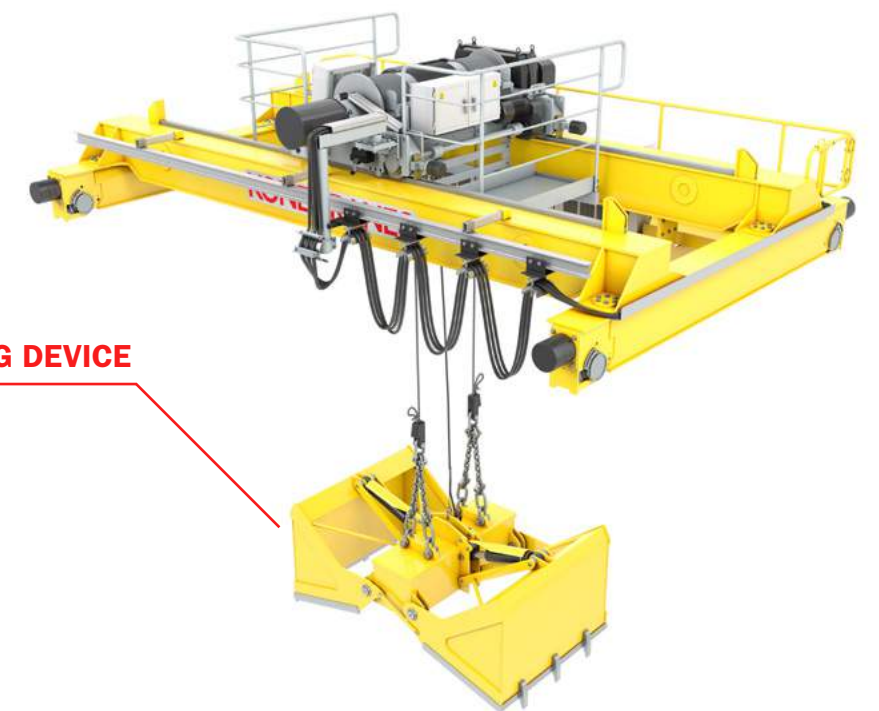


HEAVY DUTY BIOMASS CRANES



Technical data								
Plant nominal capacity	360 m3/d	528 m3/d	735 m3/d	1020 m3/d	1224 m3/d	1440 m3/d	1680 m3/d	2400 m3/d
Trolley								
Purpose build open winch	GL07-BL	GL07-BH	GL08-BL	GL08-BH	GL09-BL	GL09-BH	GL10-BL	GL10-BH
Lifting devices								
Orange peel grab	2.5 m3	3.2 m3	5 m3	6.3 m3	8 m3	10 m3	12 m3	14.5 m3
Lifting capacity								
Maximum capacity	4.5 t	5.4 t	6.3 t	8 t	9.5 t	12 t	14 t	17 t
Main dimensions								
Span, typical	18 m	22 m	24 m	24 m	24 m	24 m	27 m	27 m
Lifting height, max	22.3 m	22.3 m	22.6 m	22.6 m	22.9 m	22.9 m	22.5 m	22.5 m
Speeds								
Bridge travel speed	60 m/min	60 m/min	60 m/min	80 m/min	80 m/min	80 m/min	80 m/min	100 m/min
Trolley traversing speed	60 m/min	60 m/min	60 m/min	60 m/min	70 m/min	70 m/min	80 m/min	80 m/min
Hoisting speed with nominal load	30 m/min	42 m/min	40 m/min	32 m/min	50 m/min	40 m/min	29 m/min	65 m/min
Lowering speed ESR	40 m/min	58 m/min	50 m/min	40 m/min	70 m/min	55 m/min	45 m/min	90 m/min
Electrical systems								
Bridge power supply	Festoon	Festoon	Festoon	Festoon	Festoon	Festoon	Festoon	Festoon
Trolley power supply	Festoon	Festoon	Festoon	Festoon	Festoon	Festoon	Festoon	Festoon
Grab power supply	Integrated on the rope drum	Integrated on the rope drum	Integrated on the rope drum	Integrated on the rope drum	Integrated on the rope drum	Integrated on the rope drum	Integrated on the rope drum	Integrated on the rope drum
Motor control system	Konecranes VFD	Konecranes VFD	Konecranes VFD	Konecranes VFD	Konecranes VFD	Konecranes VFD	Konecranes VFD	Konecranes VFD
Sway control	Standard	Standard	Standard	Standard	Standard	Standard	Standard	Standard
Electrical braking	Regenerative	Regenerative	Regenerative	Regenerative	Regenerative	Regenerative	Regenerative	Regenerative
Control								
Manual / Semi-automated	Radio	Radio	Radio	Radio	Radio	Radio	Radio	Radio
Automated: Feeding / Unmanned	HMI-panel	HMI-panel	HMI-panel	HMI-panel	HMI-panel	HMI-panel	HMI-panel	HMI-panel
Remote Operation Station (ROS)	Optional	Optional	Optional	Optional	Optional	Optional	Optional	Optional
Monitoring								
Event history recorder in Programmable Logic Controller (PLC)	Standard	Standard	Standard	Standard	Standard	Standard	Standard	Standard
Crane Monitoring System (CMS) / Main User Interface (MUI)	Standard	Standard	Standard	Standard	Standard	Standard	Standard	Standard



KONECRANES®